

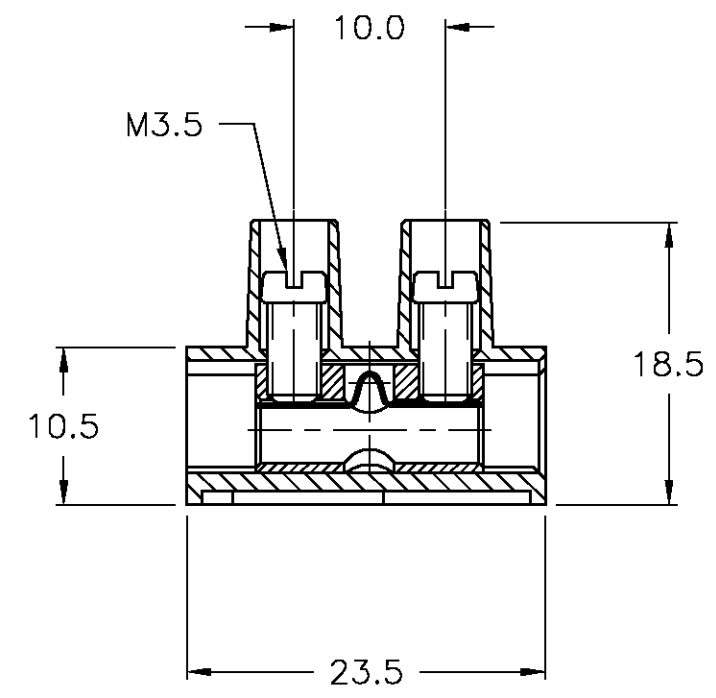
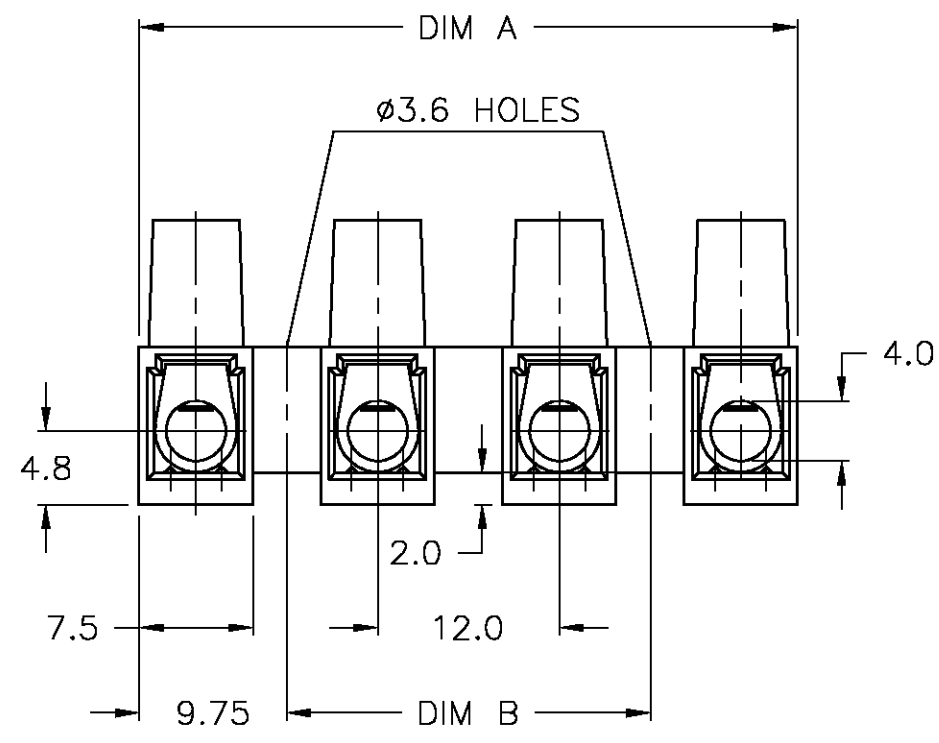
THIS DRAWING IS UNPUBLISHED. RELEASED FOR PUBLICATION  
 © COPYRIGHT BY TYCO ELECTRONICS CORPORATION. ALL RIGHTS RESERVED.

LOC	DIST	REVISIONS			
P	LTR	DESCRIPTION	DATE	DWN	APVD
FT	0	0	REVISED PER 0G3B-1020-04	3/21/05	SS CR

**MATERIAL:**  
 HOUSING: POLYIMIDE 6 UL94V-2.  
 COLOR: NATURAL(OFF WHITE).  
 TUBULAR CONTACT: BRASS, TIN PLATED.  
 SCREW: M3.5, STEEL, ZINC W/ NON-HEXAVALENT CHROMATE (CHROME III).  
 WIRE PROTECTOR: STAINLESS STEEL.

**ELECTRICAL:**  
 CURRENT RATING: 40A, 250V.  
 WIRE RANGE: 10-22 AWG.

CONTINUOUS WORKING TEMPERATURE 100°C.



DIM B	DIM A	POSN	T & B PART NUMBER	TYCO PART NUMBER
120.0	139.5	12	TSB100012DS	1-1776302-2
108.0	127.5	11	TSB100011DS	1-1776302-1
96.0	115.5	10	TSB100010DS	1-1776302-0
84.0	103.5	9	TSB100009DS	1776302-9
72.0	91.5	8	TSB100008DS	1776302-8
60.0	79.5	7	TSB100007DS	1776302-7
48.0	67.5	6	TSB100006DS	1776302-6
36.0	55.5	5	TSB100005DS	1776302-5
24.0	43.5	4	TSB100004DS	1776302-4
12.0	31.5	3	TSB100003DS	1776302-3
-	19.5	2	TSB100002DS	1776302-2
-	7.5	1	TSB100001DS	1776302-1

THIS DRAWING IS A CONTROLLED DOCUMENT.		DWN S SCHLEGEL 3/21/05	<b>BUCHANAN</b> Tyco Electronics Corporation Harrisburg, PA,17105-3608	
DIMENSIONS: MM		CHK C RICHARD 3/21/05		
TOLERANCES UNLESS OTHERWISE SPECIFIED:		APVD C RICHARD 3/21/05	NAME 12.0 PITCH, W/ WIRE PROTECTOR	
0 PLC ± - 1 PLC ± .3 2 PLC ± .25 3 PLC ± - 4 PLC ± - ANGLES ± 2°		PRODUCT SPEC -	APPLICATION SPEC -	
MATERIAL -	FINISH -	WEIGHT -	SIZE A3	CAGE CODE 00779
CUSTOMER DRAWING			DRAWING NO C-1776302	RESTRICTED TO -
			SCALE NTS	SHEET 1 OF 1
			REV 0	